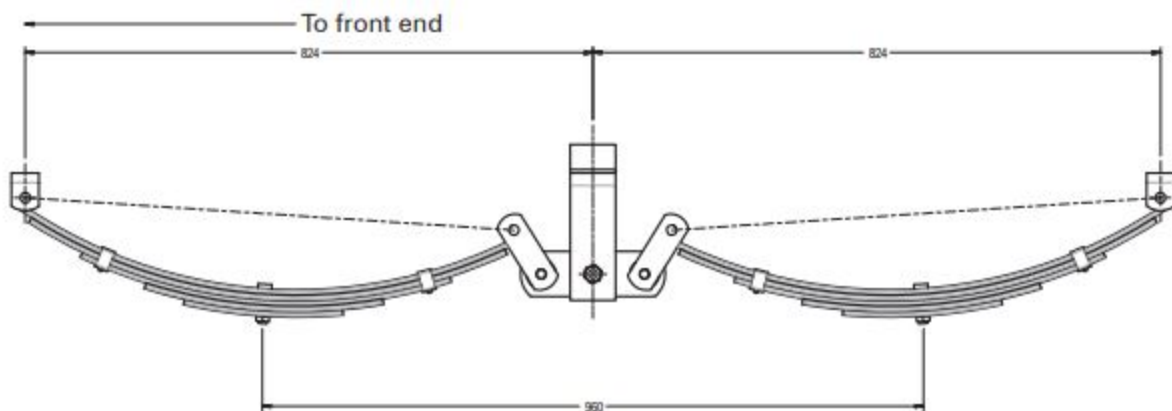


TANDEM SPRING KITS

Ark's Tandem Rocker Kits are designed to transfer the load and evenly distribute the weight over the trailer's axle and suspension system. The Tandem Rocker Kits are modular, meaning you order the kit as per required rocker system then order the shackle springs in either centre bolt, offset bolt or a combination of the two based on axle spacing and wheel sizes.



Tandem Spring Setup A

PART NO:

TRKA45

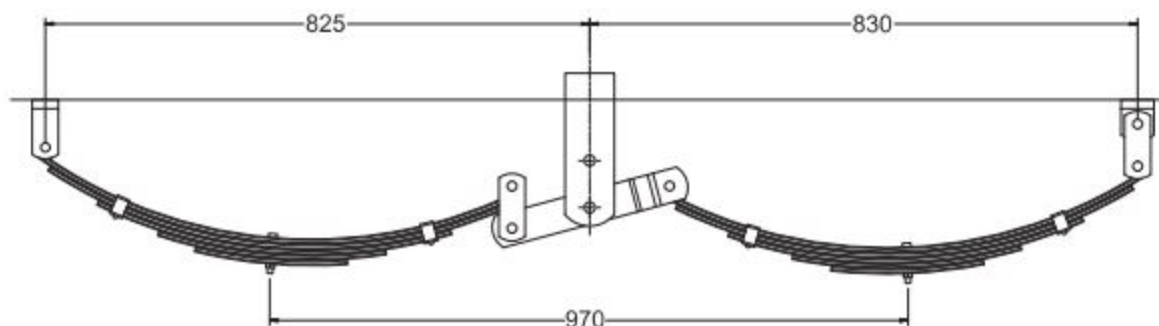
PACK TYPE:

BULK

Tandem Setup with Rocker Arm 'Type A'

Kit consists of:

- 4 x Shackle hanger (Part No. SHF45)
- 8 x Shackle plate (Part No. SP64)
- 2 x Tandem rocker hanger (Part No. TRH45)
- 2 x Tandem rocker arm (Part No. RA45)
- 12 x Shackle pin $\frac{9}{16}$ " x $3\frac{1}{2}$ " (Part No. SP916)
- 2 x Shackle pin $\frac{5}{8}$ " x $3\frac{1}{2}$ " (Part No. SP58G)
- 4 x Spring rocker bush (Part No. SB916)



Tandem Spring Setup B

PART NO:

TRKB45

PACK TYPE:

BULK

Tandem Setup with Rocker Arm 'Type B'

Kit consists of:

- 2 x Shackle hanger (Part No. SHFD45)
- 8 x Shackle plate (Part No. SP64)
- 2 x Tandem rocker hanger (Part No. TRH45)
- 2 x Tandem rocker arm (Part No. RAI45)
- 4 x Spring rocker bush (Part No. SB916)
- 2 x Rear rocker hanger (Part No. SHR45)
- 12 x Shackle pin $\frac{9}{16}$ " x $3\frac{1}{2}$ " (Part No. SP916)
- 2 x Shackle pin (Part No. SP58G)